

# TremSafe Self-Closing Safety Gate™

## FEATURES

---

Tough, durable and easy to install

Universal Hinge Assembly fits various railing types up to 2" O.D. or flat surface mounting. Adapter kits are available for larger or uniquely shaped railings.

Five nominal sizes are available, and each is adjustable laterally up to 6"

Each gate is capable of swinging in either direction

The self-closing feature employs two stainless steel torsion springs

Available in two finishes: Powder Coat Safety Yellow, Hot-Dip Galvanized

Fully compliant with all OSHA standards.

## DESCRIPTION

The TremSafe Self-Closing Safety Gate™ is designed to match top and mid-rail heights of OSHA compliant guardrails, providing maximum opening coverage.

When the gate is installed with the top rail at OSHA's mandated guardrail height of 42" above the work surface, the bottom rail of the gate is at OSHA's nominal mid-rail height of 21".

The gates come in sizes covering openings from 18" to 48". Each gate size can be laterally adjusted up to 6" (-3" to +3") to ensure proper fitting in the opening. Toe board adaptor kits are available for all sizes.

## BASIC USES

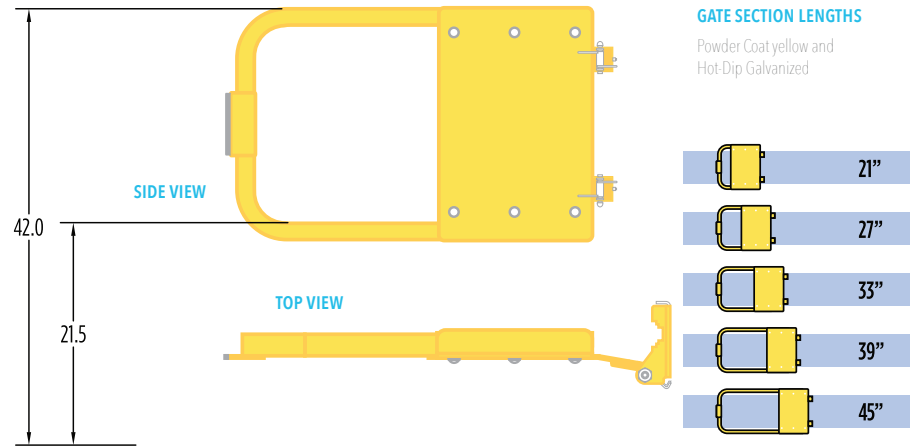
The TremSafe Self-Closing Safety Gate system provides maximum opening coverage for OSHA compliant guardrails.



# TremSafe Self-Closing Safety Gate

## INSTALLATION

Our TremSafe Self-Closing Safety Gate installs and adjusts easily.



www.tremcoroofing.com  
3735 Green Road  
Beachwood, Ohio 44122  
1.800.852.6013

220 Wicksteed Avenue  
Toronto, ON M4H 1G7  
1.800.668.9879  
Tremco Roofing & Building  
Maintenance is part of Tremco  
Construction Products Group

Tremco is a US Registered trademark of Tremco CPG Inc.

The information provided on this data page supersedes all previous data concerning this product and its application.

The Statements provided concerning the materials shown are intended solely as a general guide for material usage and are believed to be true and accurate. Since the manner of use is beyond our control, Tremco DOES NOT MAKE NOR DOES IT AUTHORIZE ANY WARRANTY OF MERCHANTABILITY OR FITNESS FOR ANY PURPOSE, OR ANY OTHER WARRANTY, GUARANTEE OR REPRESENTATION, EXPRESSED OR IMPLIED, CONCERNING THIS MATERIAL EXCEPT THAT IT CONFORMS TO TREMCO'S PRODUCT SAMPLE. Buyer and user accept the product under those conditions and assume the risk of any failure, injury of person or property and loss or liability resulting from the handling, storage or use of the product, whether or not it is handled, stored, used in accordance with directions or specifications. UNDER NO CIRCUMSTANCE SHALL TREMCO BE LIABLE FOR CONSEQUENTIAL OR INCIDENTAL DAMAGES ARISING FROM ANY BREACH OF WARRANTY. IN ALL CASES, TREMCO'S LIABILITY IS LIMITED, AT TREMCO'S OPTION, TO THE REPLACEMENT OF GOODS, OR THEIR VALUE, PROVEN TO BE DEFECTIVE IN MANUFACTURING.

TremLock® is a U.S. registered trademark of Tremco CPG Inc. Kynar

500® is a U.S. registered trademark of Arkema Inc.

Hylar 5000® is a U.S. registered trademark of Solvay Solexis, Inc.

Galvalume® is a U.S. registered trademark of BIEC International Inc.

Fluoropon® is a U.S. registered trademark of SWIMC LLC.